

High Static Pressure Duct

Model : ARYG45LHTA / ARYG54LHTA /

ARYG45LHTA [3phase] / ARYG54LHTA [3phase] / **NEW** ARYG60LHTA [3phase]



ARYG45/54LHTA



ARYG60LHTA



Wired R.C.



Features

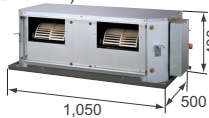
High energy efficiency

Significantly greater efficiency is realized by using all DC inverter technology.(60 type)

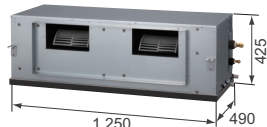
Easy installation (Compact size & Lightweight)

A compact size and lightweight indoor unit has been developed by reducing the basic chassis and the overall material weight.

(unit: mm)

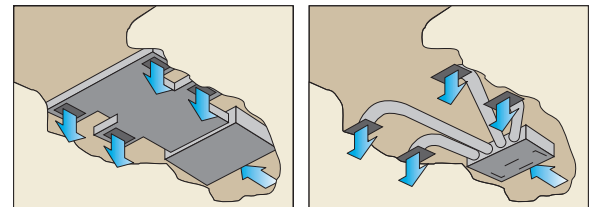


45/54 type



60 type

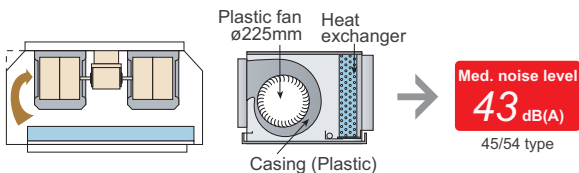
Design also corresponding to high static pressure



Low noise

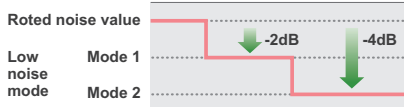
Indoor unit

Cutting off the corners has enabled less turbulent airflow. Low noise is realized by adopting a plastic case and a plastic fan.

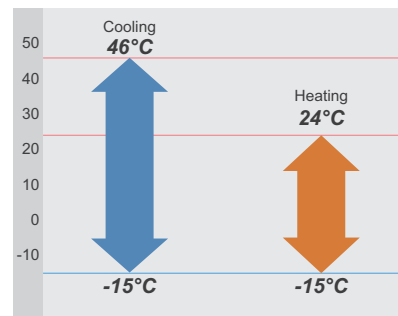


Outdoor unit

2 stage low noise mode can be selected.(Option)



Low ambient operation



Optional parts

- Wired Remote Controller: UTY-RNNYM, UTY-RVNYM
- Simple Remote Controller: UTY-RSNYM
- Long-Life Filter: UTD-LF60KA (For ARYG45/54LHTA only)
- Remote Sensor Unit: UTY-XSZX
- External Connect Kit: UTY-XWZXZ2, UTY-XWZXZ3
- External Control Set: UTD-ECS5A



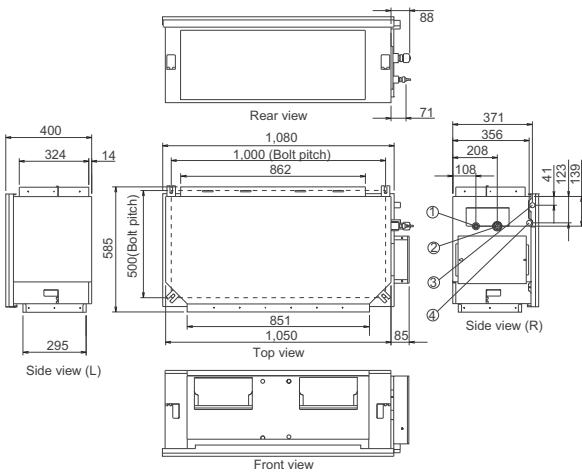
Specifications

Model No.	Indoor unit		ARYG45LHTA	ARYG54LHTA	ARYG45LHTA	ARYG54LHTA	ARYG60LHTA
	Outdoor unit		AOYG45LETL	AOYG54LETL	AOYG45LATT	AOYG54LATT	AOYG60LATT
Power Source	V/ ∅/Hz		230/1/50	230/1/50	400/3/50	400/3/50	400/3/50
Capacity	Cooling	kW	12.5(4.5~14.0)	13.4(5.0~14.5)	12.5(5.0~14.0)	14.0(5.4~16.0)	15.0(6.2~17.5)
	Heating	kW	14.0(5.0~16.2)	16.0(5.5~18.0)	14.0(5.4~16.2)	16.0(5.8~18.0)	18.0(6.2~20.0)
Input Power	Cooling/Heating	kW	4.30/3.80	4.77/4.69	4.06/3.67	4.65/4.37	4.70/5.15
EER	Cooling	W/W	2.91	2.81	3.08	3.01	3.19
COP	Heating	W/W	3.68	3.41	3.81	3.66	3.50
Running Current	Cooling/Heating	A	18.9/16.7	20.9/20.5	6.1/5.5	6.9/6.5	6.9/7.6
Moisture Removal			l/h	1.5	2.0	1.5	2.5
Sound Pressure (Cooling)	Indoor	H/M/L	dB(A)	47/43/40	47/43/40	47/43/40	47/43/40
	Outdoor	High					
Airflow Rate (High)	Indoor / Outdoor	m ³ /h	3350/6750	3350/6750	3350/6750	3350/6900	3550/6900
Static pressure range (Standard)			Pa	100 to 250(100)	100 to 250(100)	100 to 250(100)	100 to 250(100)
Net Dimension H x W x D	Indoor	mm	400x1050x500	400x1050x500	400x1050x500	400x1050x500	425x1250x490
		kg(lbs)	46(101)	46(101)	46(101)	46(101)	54(119)
	Outdoor	mm	1290x900x330	1290x900x330	1290x900x330	1290x900x330	1290x900x330
		kg(lbs)	86(190)	86(190)	104(229)	104(229)	104(229)
Piping Connections (Small / Large)			mm	9.52/15.88	9.52/15.88	9.52/15.88	9.52/15.88
Drain Hose Diameter (I.D./O.D.)			mm	23.4/25.4	23.4/25.4	23.4/25.4	23.4/25.4
Max Pipe Length (Pre-Charge)			m	50(20)	50(20)	75(30)	75(30)
Height Difference			m	30	30	30	30
Operation Range	Cooling	°CDB	-15~46	-15~46	-15~46	-15~46	-15~46
	Heating	°CDB	-15~24	-15~24	-15~24	-15~24	-15~24
Refrigerant			R410A	R410A	R410A	R410A	R410A

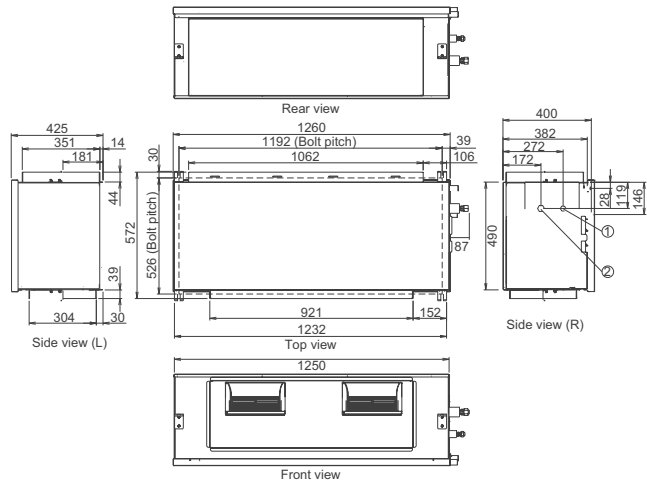
Dimensions Models : ARYG45LHTA / ARYG54LHTA / ARYG60LHTA

(Unit : mm)

Model: ARYG45LHTA / ARYG54LHTA



Model: ARYG60LHTA



- ① Refrigerant piping flare connection (Liquid) ③ Drain piping connection (Safety drain pan)
 ② Refrigerant piping flare connection (Gas) ④ Drain piping connection (Main drain pan)